



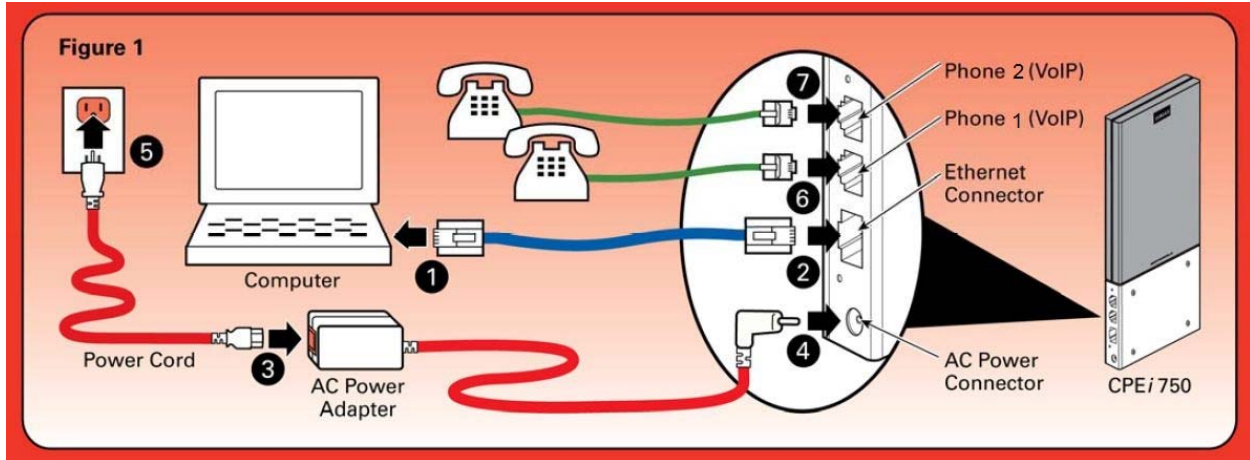
Indoor WiMAX Modem

Installation Quick Reference Guide

Basic Setup

WiMAX technology does not require line of sight to the tower, however to achieve maximum performance and reliability you are encouraged to place the modem in a location that best faces the tower.

The following outlines the steps for connecting a computer and phone to your indoor WiMAX modem.



1. Connect the supplied Ethernet cable into the Ethernet port of the computer. Optionally you can connect this to a switch or hub.
2. Connect the other end of the Ethernet cable into Ethernet port on the back of the WiMAX CPE unit.
3. Connect the supplied power cord into the AC power adapter.
4. Connect the power adapter to the AC power connector on the back of the WiMAX CPE unit.
5. Plug the power cord into an AC outlet. The modem will power up and start scanning and connect to the service.

The following steps are for the users who have subscribed to CCI's VoIP service. For this you will require basic telephone.

- Using the cable that came with your phone, connect it directly into phone port 1 on the back of the WiMAX modem.
- Option: if you have subscribed to two VoIP line, then you will need to connect a separate phone into port 2 on the back of the WiMAX modem.

Note: Please proceed to Inside Telephone Wiring if you would like to connect the phone port from the back of the WiMAX modem to your inside house wiring.

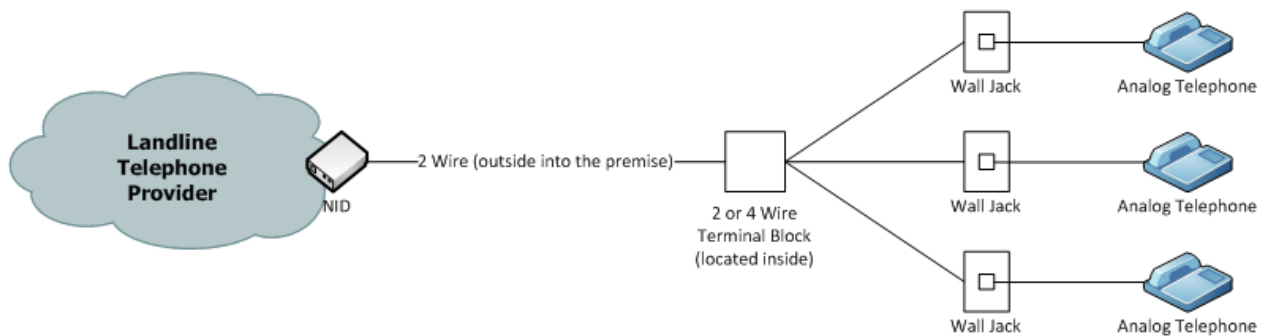
Once the device has been properly connected and powered up, the LEDs on the front of the WiMAX modem will begin flashing. This temporary flashing is the process where the WiMAX modem is attempting to synchronize to the WiMAX tower. Once this flashing is completed, the LEDs will stay solid. The total number of solid lit LEDs indicates your signal strength to the WiMAX tower.



Inside Telephone Wiring

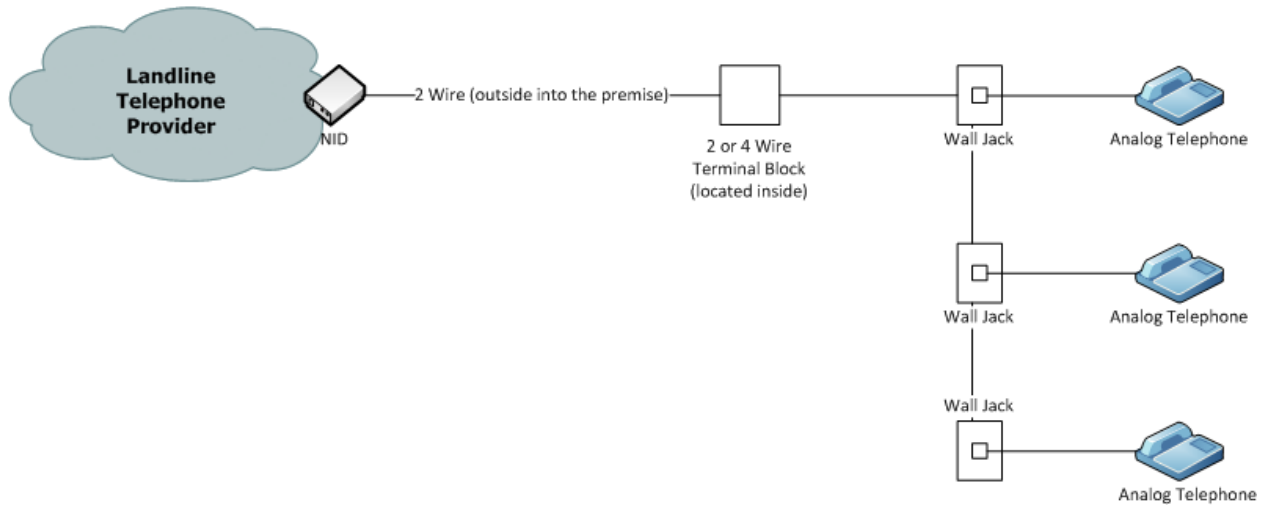
Most homes have their telephones wired in two schemes. One is the star configuration which every wall/phone jack in the house is wired back to a central point typically called a terminal block. This terminal block is usually located near your utility panel. This terminal block also connects to the outside wires coming from the traditional telephone company. This terminal block bridges all the wires together allowing multiple phones to use the single phone line.

Star Configuration



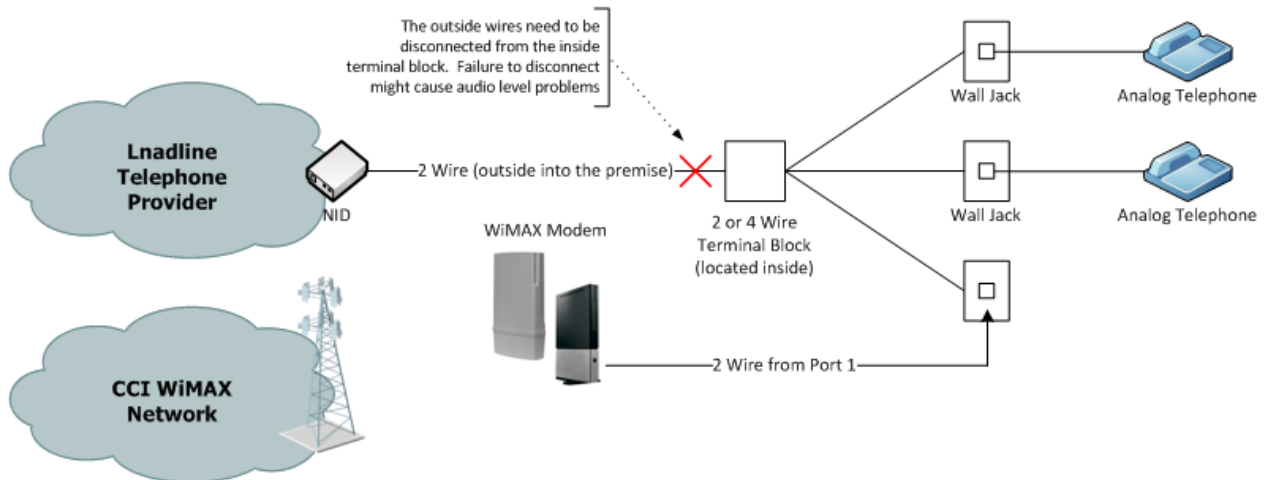
Another variation of inside wiring is the daisy chain approach. Where the single phone line comes into the home and is wired to a wall/phone jack. Subsequent jacks are wired from that wall/phone jack in a series called the daisy chain.

Daisy Chain



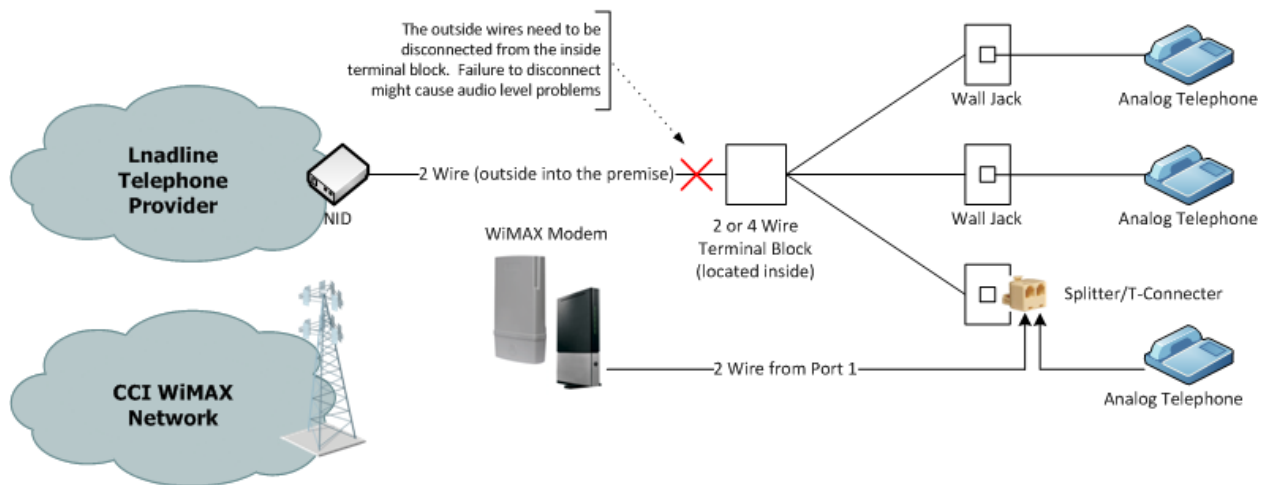
If you would like to utilize the inside house wiring for the VoIP service to connect to multiple phones, then please follow the following steps closely. The example shown below is using a star configuration; however the same process would apply in a daisy chain wiring configuration.

Star Configuration



1. Locate where the outside phone line comes into the house/premise. The phone is a pair of cables typically green and red in color. Please **disconnect this pair of wires** from the terminal block before proceeding.
2. Using a simple phone cable, connect the one end to Port 1 on the back of the WiMAX modem. The other end of the cable can be connected directly into a wall/phone jack.

Star Configuration



- Optional: if you would like to have a phone located at this wall/phone jack, you will need to use a Splitter/T-Connector. The male end will connect to the wall/phone jack, while the two female connectors on the splitter can be used to connect a telephone and the second can be connected to the WiMAX modem's port 1. You should also connect no more than 4 telephones to a single port.
- Optional: if you would like the phone to be located by the WiMAX modem, then use the Splitter/T-Connector at the WiMAX modem. Connecting the male end of the Splitter/T-Connector into port 1 on the back of the WiMAX modem, while the two female connectors on the splitter can be used to connect to the telephone and the second can be connected to the wall/phone jack. You should also connect no more than 4 telephones to a single port.

Note: Because you are dealing with an outside line that can be potentially still carrying voltage, do not connect the WiMAX modem's phone port into your inside house wiring until you have disconnected the line coming into the house from the telephone company as described in step 1. Connecting the WiMAX modem's phone port to the inside wiring which might still have a live telephone signal on it may cause problems and can potentially harm the WiMAX modem. If you are not comfortable doing the work yourself, please contact our Customer Care for your options.

If you are subscribing to two VoIP lines and would like to utilize the inside wiring in your home, please contact Customer Care for your options also.